

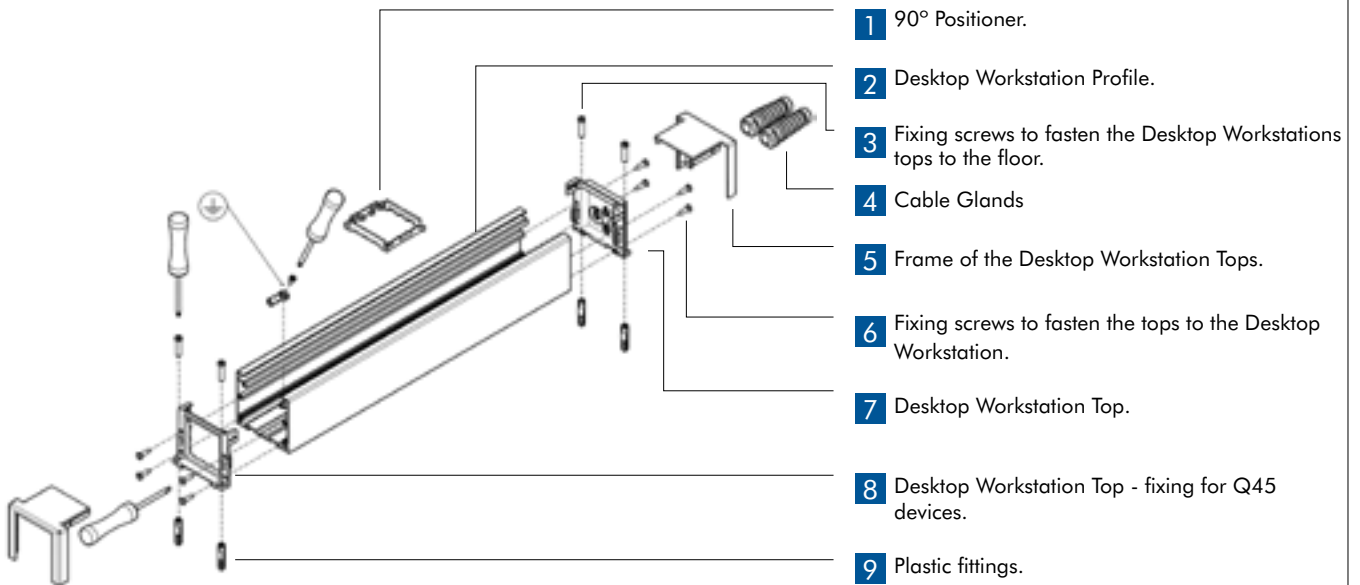
DESCRIPTION



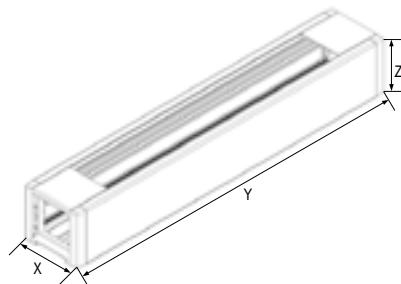
IK09

- They can be installed on a desk, wall, DIN rail or elsewhere.
- To be used with semi-assembled devices **QUADRO 45** Series.

MOUNTING DIAGRAM



DIMENSIONS (mm)



	X	Y	Z
REF. 83201 S	62,0	269,5	54,5
REF. 83202 S	62,0	360,5	54,5

SECTION 6	CLASSIFICATION	DESKTOPS WORKSTATIONS
6.2	Resistance to impact for installation and application	10 J
6.3	Minimum Storage and Transport Temperature	- 45 °C
6.3	Minimum Installation and Application Temperature	- 25 °C
6.3	Maximum Application Temperature	60 °C
6.4	Resistance to flame propagation	Non-flame propagating
6.5	Electrical continuity characteristic	With electrical continuity $1,5 \times 10^{-4} \Omega/m$
6.6	Electrical insulation	Without electrical insulation
6.7	Protection degree provided by enclosure	IP30
6.8	Protection against corrosive or polluting substances	Medium protection outside and inside
6.9	Access system to the retention of the cover	The cover can only be removed with a tool
6.10	Electrically protective separation	Without electrical protective partition (divider)
6.101	Conditions d'installation	Surface mounted fixed on the wall or on the ceiling
6.102	Prevention of contact between liquids and insulated conductors and live parts in case of mounted in a skirting and on wet floor.	Not declared
6.103	Type	3 (installation)
	Rated Voltage	500V~

DESKTOPS WORKSTATIONS (PROFILE SELECTION)

Ref.	Profile Characteristics			Isolated Cables Capacity				
	Section	Internal Section (S)	Available Section (Su)	Max ø Available (mm)	Max. Nr. Conductors H07 V-U			
		(mm ²)	(S:1,4) (mm ²)		1,5mm ²	2,5mm ²	4mm ²	6mm ²
Profile and Desktop Workstations	83241 83242 83281	2497	1784	38	223	149	119	89
Profile and Desktop Workstations with Sockets Q45	83241 83242 83281 + 45132 S							
Profile and Desktop Workstation with power supply	83241 83242 83281 + 45380 S	860	614	—	77	51	41	31

