

DESCRIPTION



- MEC 21 Mechanisms:
 - Finishings - LOGUS⁹⁰ | APOLO 5000 | **sirius70**.
- Semi-assembled devices - **QUADRO 45**:
 - Finishings - **QUADRO 45** | **QUADRO 45** - *Siza Vieira*.
- Compatible with input modules of different home automation systems.
- Single entry - four independent outputs.
- Contact opening and closing through microswitch (voltage free and of **Very Low Tension**).

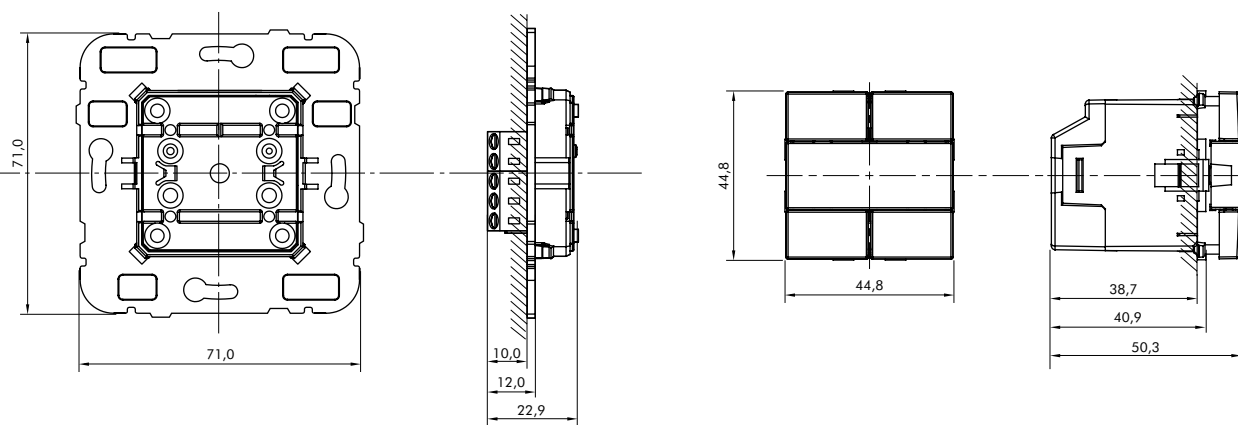
OPERATION

- Press each of the rockers to close the circuit.

CHARACTERISTICS

- Maximum power dissipation: 60mW (DC 12V 50mA).
- Maximum voltage: 32V.
- Insulation resistance: $\geq 100M\Omega$.
- Dielectric strength: AC 250V~ 50Hz/1min.
- Operating temperature: -25°C to +70°C.
- Maximum relative humidity: (40°C) $\leq 95\%$.
- Contact resistance: $\leq 40m\Omega$.
- Outputs: 4NO.

DIMENSIONS (mm)



CIRCUIT DIAGRAM

