

**HDMI SOCKET (REF. 45435 S | 45436 S)**

**DESCRIPTION**

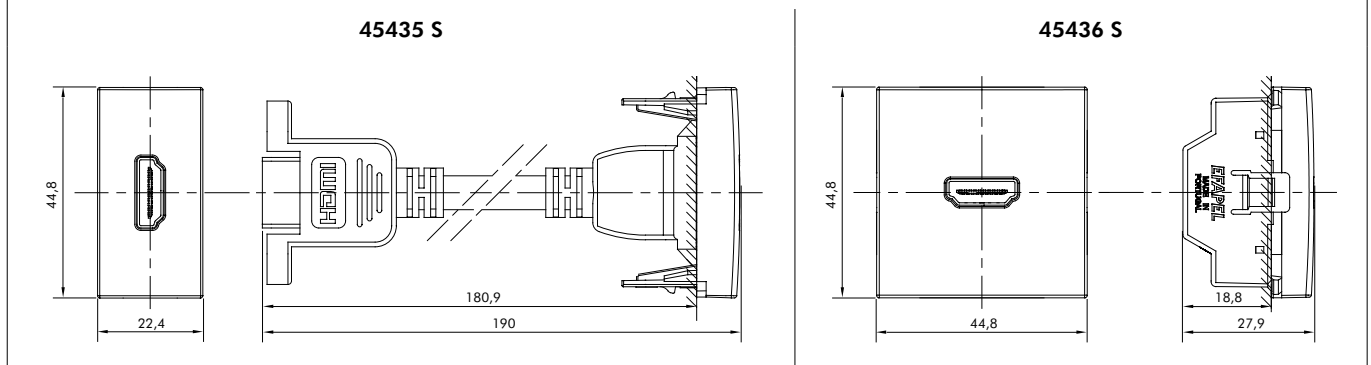


- 45435 S - HDMI Socket with Connector - 1 Module.
- 45436 S - HDMI Socket with Screwless Connect - 2 Modules.
- Enables the passage of Audio/Visual in high definition through the HDMI connector, between any transmitter (computer, DVD, ...) with a HDMI connection and a terminal (TV, LCD, Video projector,...).
- Semi-assembled devices - **QUADRO 45**:
  - Finishings - **QUADRO 45** | **QUADRO 45** - *Siza Vieira*.
- MEC 21 Mechanisms:
  - Compatible with finishes - **LOGUS<sup>sm</sup>** | **APOLO 5000** | **sirius70**, with the adapter for each of the series (XX881 T).
- Available in colors **BR** - White, **MF** - Ivory, **AT** - Anthracite, **GE** - Ice, **PE** - Pearl, **AL** - Aluminium, **IS** - Gray, **BM** - White Matt; **PM** - Black Matt, **DU** - Golden, **CH** - Champagne, **PR** - Silver, **GR** - Graphite, **PL** - Platinum.

**CHARACTERISTICS**

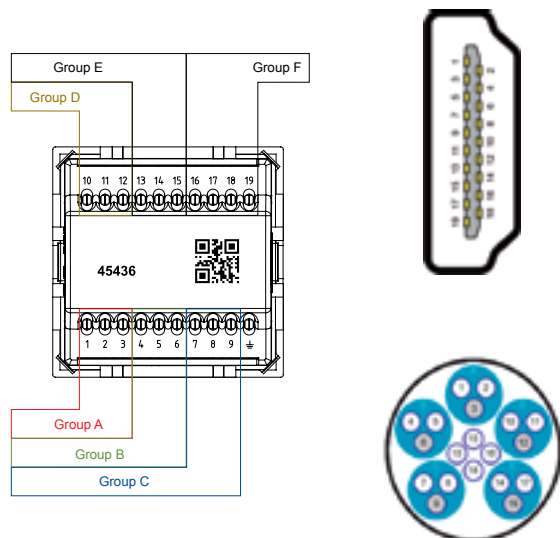
	45435 S	45436 S
Mechanisms in technical thermoplastic - resistant material, non-conductive.		
Connection	Through cable cord (female connector)	Screw
Distance between HDMI sockets	10 meters	5 meters
Maximum resolution	1080p	1080p
Connectors	Type 1,4 E Version	Tipo 1,4 E Version

**DIMENSIONS (mm)**



**WIRING DIAGRAMS**

**45436 S**



Pino	Pino	Color	Group
Pino 1	TMDS Data2+	White	Group A / Red Group
Pino 2	TMDS Data2 Data Shield	Mesh	
Pino 3	TMDS Data2-	Red	
Pino 4	TMDS Data1+	White	Group B / Green Group
Pino 5	TMDS Data1 Data Shield	Mesh	
Pino 6	TMDS Data1-	Green	
Pino 7	TMDS Data0+	White	Group C / Blue Group
Pino 8	TMDS Data0 Data Shield	Mesh	
Pino 9	TMDS Data0-	Blue	
Pino 10	TMDS Clock+	White	Group D / Brown Group
Pino 11	TMDS Clock Data Shield	Mesh	
Pino 12	TMDS Clock-	Brown	
Pino 13	CEC	Red	Group E / Cables without group
Pino 14	Reserve, HEC Data - (Opcional, 1.4+ with canal Ethernet)	Roxo	
Pino 15	SCL (DDC)	Orange	Group F / Remaining Cables without Group
Pino 16	SDA (DDC)	Yellow	
Pino 17	DDC/CEC Ground	Green	
Pino 18	+5V Power	White	
Pino 19	Hot Plug Detect, HEC Data + (Opcional, 1.4+ with canal Ethernet)	Blue	