

MINI COLUMN (REF. 83281 | 83282 | 83283)

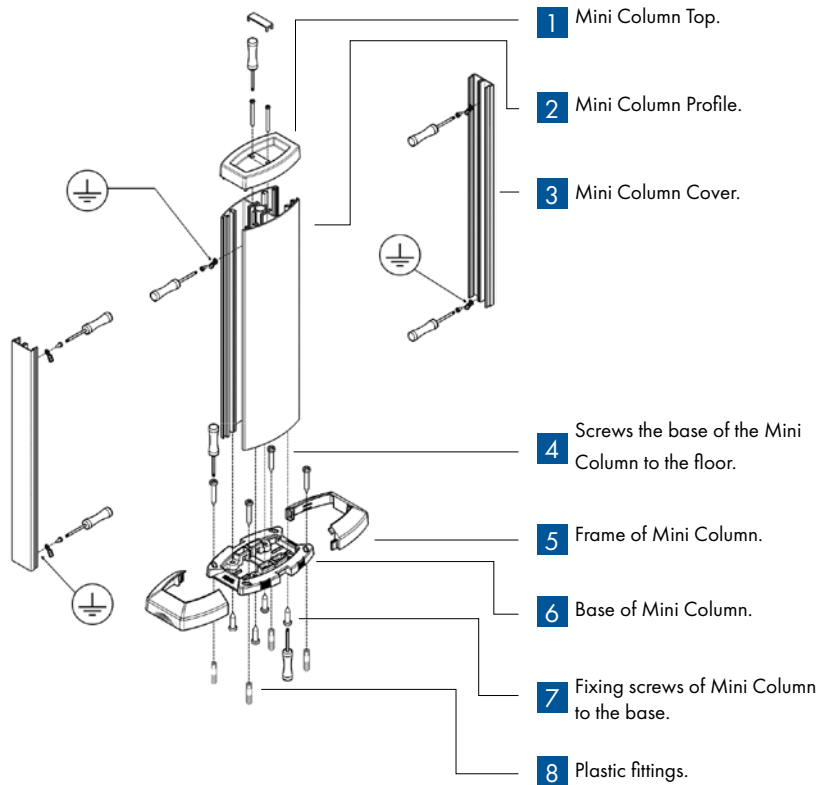
DESCRIPTION



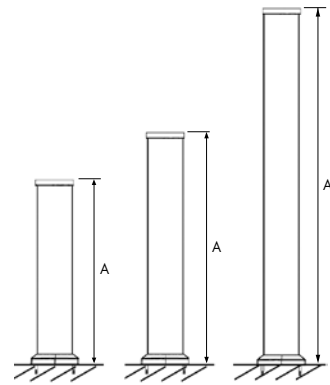
IK09

- Allows to put all the connections (power and communication) nearby the Workstation.
- To be used with semi-assembled devices **QUADRO 45** Series.

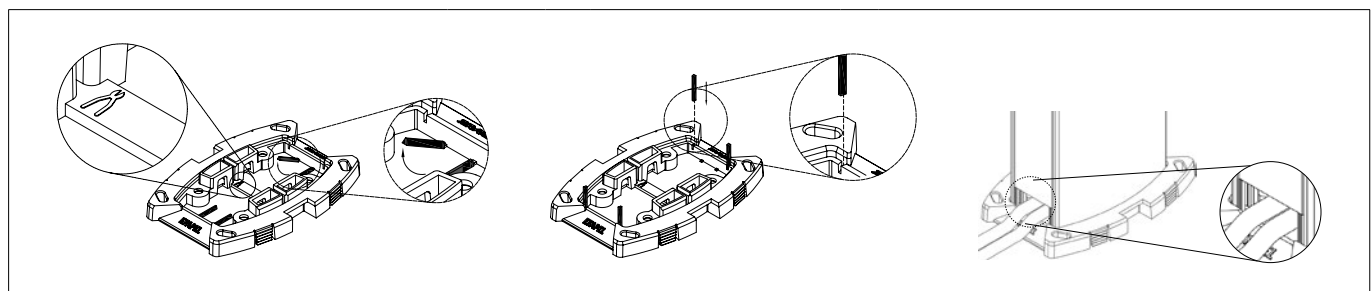
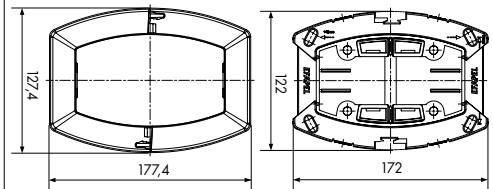
MOUNTING DIAGRAM



DIMENSIONS (mm)



	A
REF. 83282	340 mm
REF. 83281	480 mm
REF. 83283	710 mm

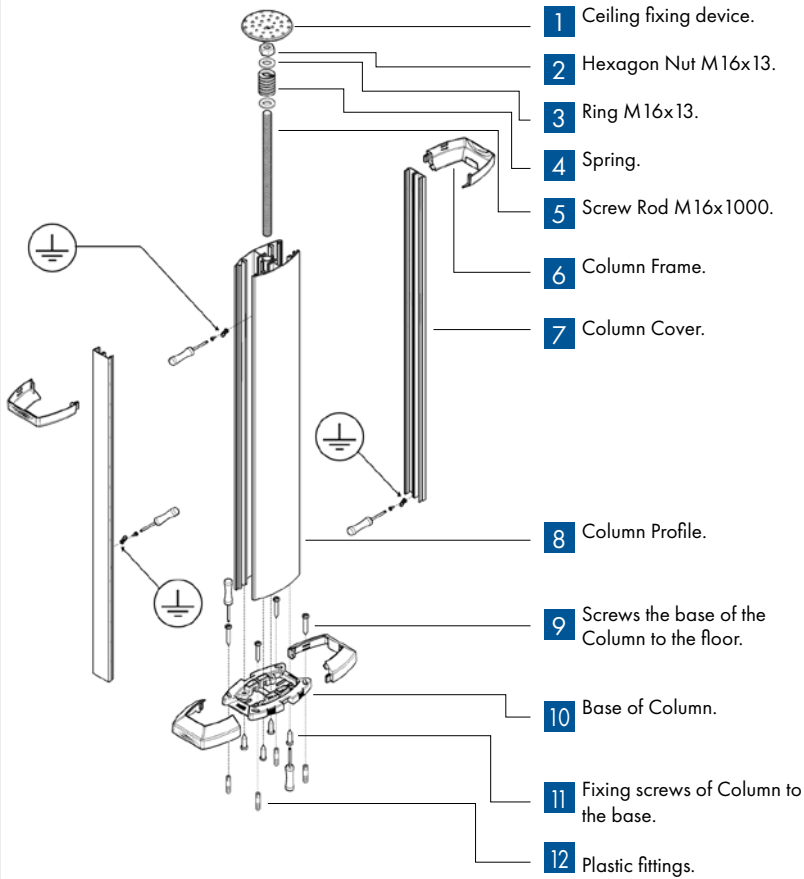


DESCRIPTION

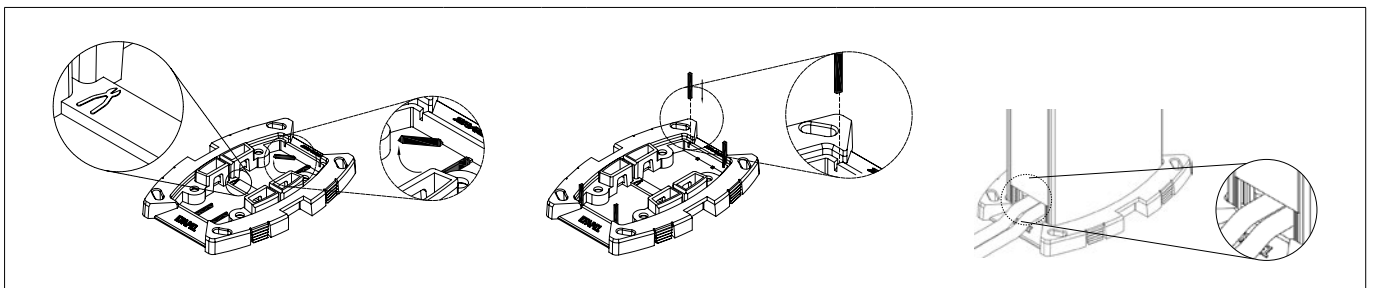
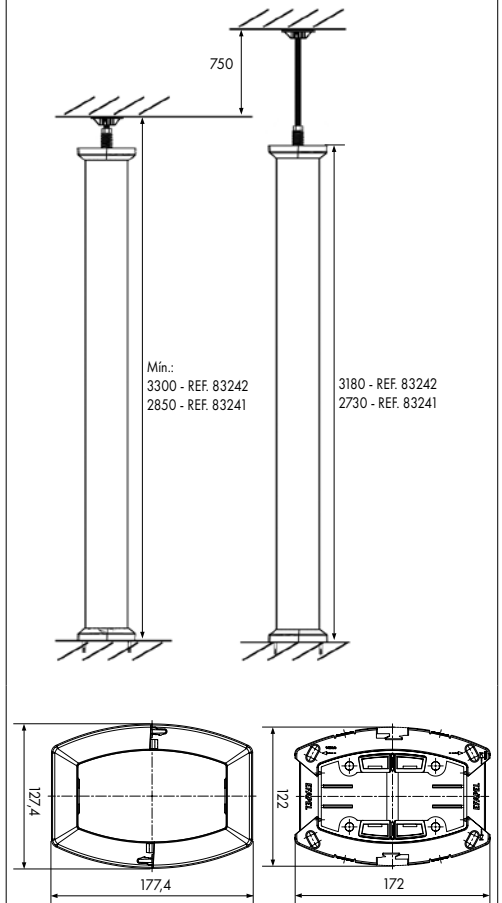


- They allow the power and cable routing between the ceiling and the floor.
- To be used with semi-assembled devices **QUADRO 45** Series.

MOUNTING DIAGRAM



DIMENSIONS (mm)



SECTION 6	CLASSIFICATION	COLUMNS AND MINI COLUMN
6.2	Mechanical strength shock test for installation and application	10 J
6.3	Minimum Storage and transport Temperature	- 45 °C
6.3	Minimum Installation and Application Temperature	- 25 °C
6.3	Maximum Application Temperature	60 °C
6.4	Resistance to flame propagation	Non-flame propagating
6.5	Electrical continuity characteristic	With electrical continuity $5 \times 10^{-5} \Omega/m$
6.6	Electrical insulation	Without electrical insulation
6.7	Protection degree provided by enclosure	IP31
6.8	Protection against corrosive or polluting substances	Medium protection outside and inside
6.9	Access system to the retention of the cover	The cover can only be removed with a tool
6.10	Electrically protective separation	Without electrical protective partition (divider)
6.101	Type of floor	Dry floor
6.102		1000 N
6.103		5000 N
	Rated Voltage	500V~

COLUMNS | MINI COLUMN (PROFILE SELECTION)

Ref.	Profile Characteristics		Isolated Cables Capacity					
	Section	Internal Section (S)	Available Section (Su)	Max ø Available (mm)	Max. Nr. Conductors H07 V-U			
		(mm ²)	(S:1,4) (mm ²)		1,5mm ²	2,5mm ²	4mm ²	6mm ²
Columns and Mini Column	83241 83242 83281	3645	2604	38	325	217	174	130
Columns and Mini Column with Sockets Q45	83241 83242 83281 + 45132 S	2200	1571	-	196	131	105	79
Columns and Mini Column with Power Supply Module	83241 83242 83281 + 45380 S	1910	1364	-	171	114	91	68

